

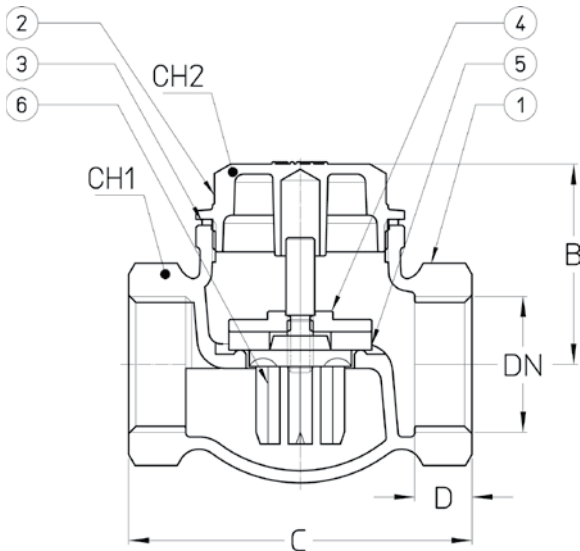
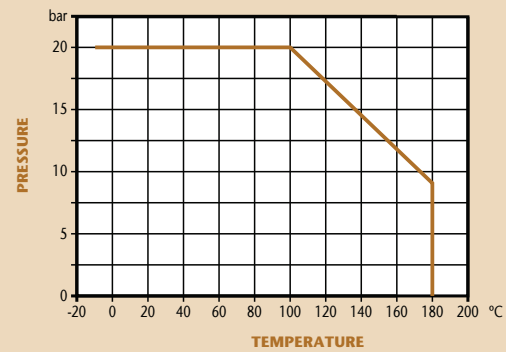


## PN20 Bronze Lift Check Valve

### Features

- Screwed BSP Parallel
- Bronze Body
- PTFE Disc
- PN20 Rated
- BS 5154 (BS EN12288)

### Pressure / Temperature



DN	3/8"	1/2"	3/4"	1"	1 1/4"	1 1/2"	2"
B	31	36	40	48	54	60	79
C	57	60	70	84	91	104	126
D	11	11	11	12	16	16	19
CH1	25	29	35	44	52	59	72
CH2	22	22	28	37	40	48	55
Kgs	0.22	0.28	0.45	0.80	0.97	1.50	2.64

### Technical Data

Max Pressure	20 Bar
Working Temperature	-10°C to +180°C

N.	Part Name	Materials
1	Body	Bronze
2	Bonnet	Brass
3	Body Packing	NA 1100
4	Disc Holder	Brass
5	Disc	PTFE
6	Guide	Brass

Dimensions in mm

This data sheet is designed as a guide and should not be regarded as wholly accurate in every detail. We reserve the right to amend the specification of any product without notice.